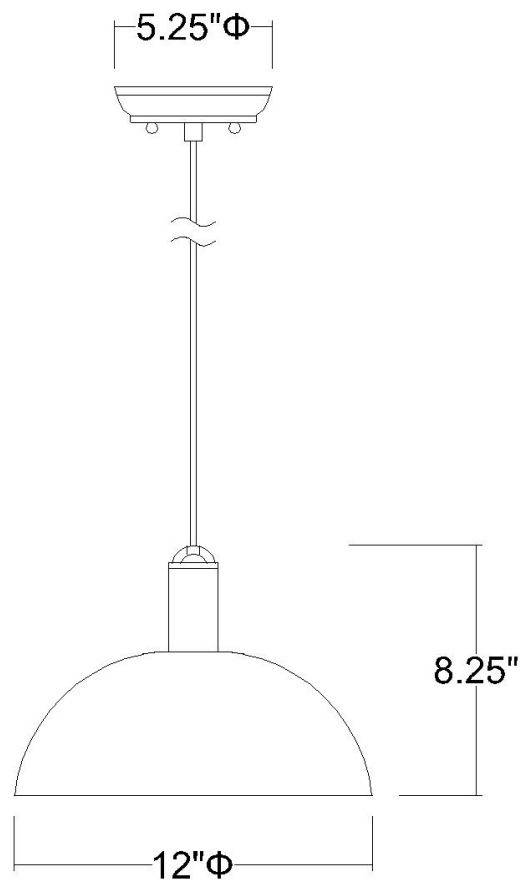
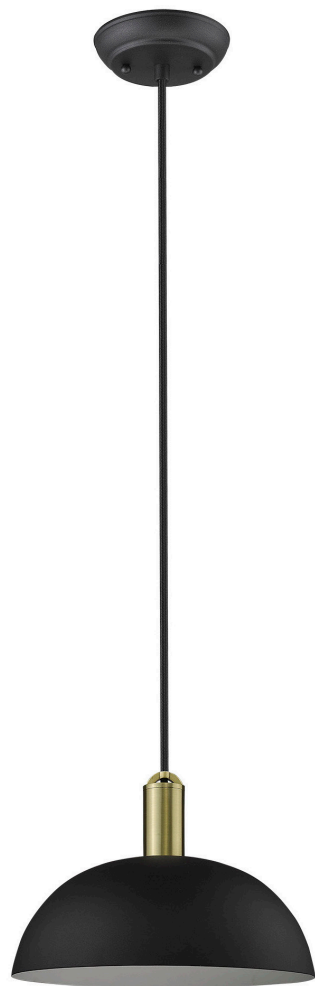


TP30100BK INGO 1-LIGHT PENDANT



Description:	Ingo 1-Light Pendant
Finish:	Matte Black
Dimensions:	12" Dia. x 8-1/4" H
Bulbs:	1-60W Med.
Installed Weight:	3.35 lbs.
Certification:	ETL / dry location

Material:	Steel
Shades:	Steel
Glass:	NA
Canopy Dimensions:	5-1/4" Dia.
Chain/Wire:	12' Wire
Additional Finishes:	NA