

# ASSEMBLY AND INSTALLATION INSTRUCTIONS

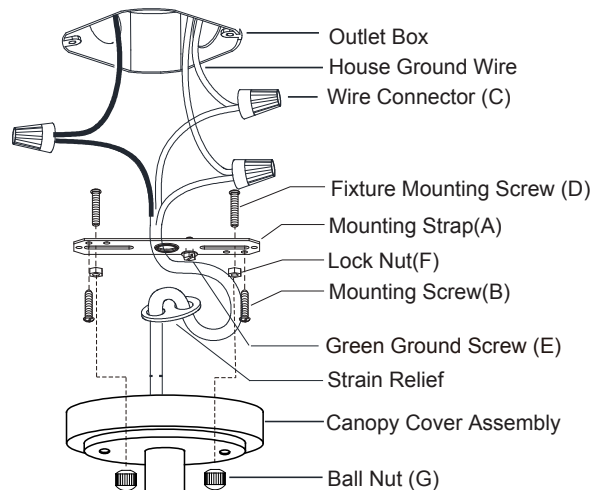
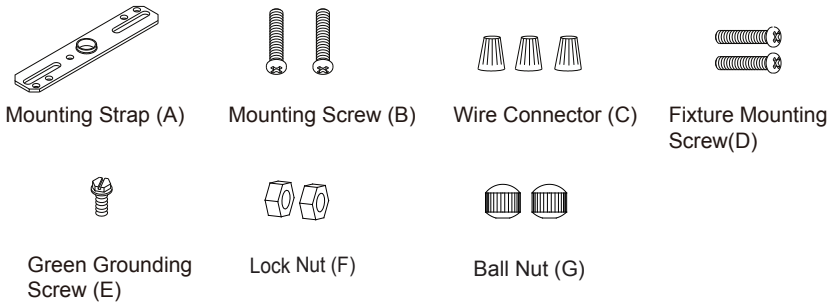
P0232

**WARNING:** TO AVOID RISK OF ELECTRICAL SHOCK, BE SURE TO SHUT OFF POWER BEFORE INSTALLING OR SERVICING THIS FIXTURE.

**NOTES:** 1. Before installing, consult local electrical codes for wiring and grounding requirements.  
2. READ AND SAVE THESE INSTRUCTIONS.

## For Pendant Installation Steps

### For Pendant Hardware Package (included):



Turn off the power at fuse or circuit box

1. Thread two fixture mounting screws through the mounting strap, and then secure with two lock nuts. Adjust the length of the fixture mounting screws if necessary.
2. Attach the mounting strap to the outlet box by using two mounting screws.
3. Measure the desired length of the cord (A) from the canopy cover assembly to the top side of the fixture and leave an additional 9" of cord (B) above the canopy cover assembly (include the canopy). Then cut off the unnecessary cord. (See Figure.1)
4. Adjust strain relief at 9" position from the top of the cord.
5. Mark the 3" of cord (C) from the top of the cord (B). Use a knife to peel off the insulation of the cord (C) carefully to expose the 3 wires on the inside. (See Figure 1)  
**CAUTION:** Too deep cutting may damage the insulation layer of the three wires inside.
6. Peel off the 3 wires from the top about 3/8" long (D) to expose the copper for wiring.
7. Connecting the wires with wire connectors as follows:

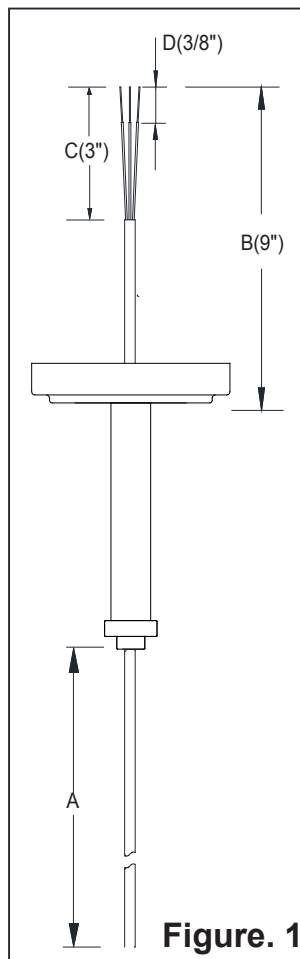
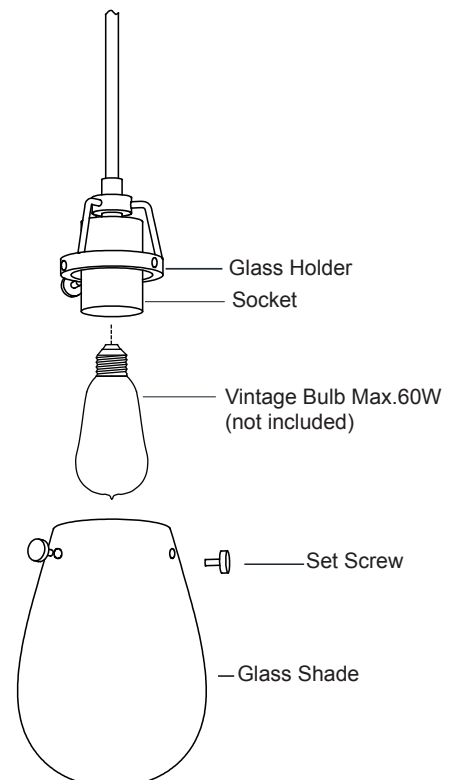


Figure. 1



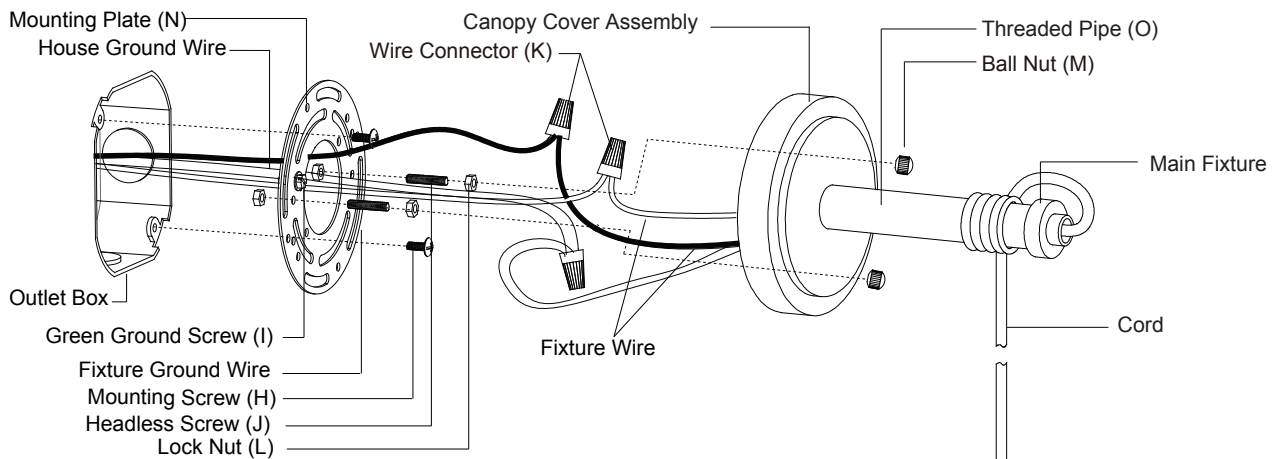
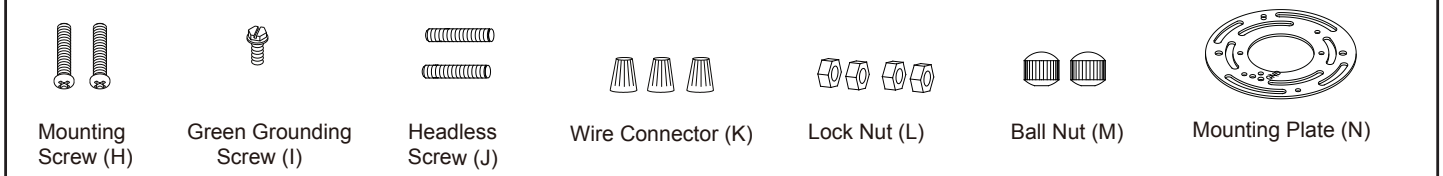
- Connect the black wire from the fixture to the black wire from the power source.
- Connect the white wire from the fixture to the white wire from the power source.
- Attach the fixture ground wire (usually green insulation or bare wire) to the mounting plate with the green ground screw. Then connect it to the house ground wire with the wire Connector.

8. Attach the canopy cover assembly to the mounting strap by inserting the fixture mounting screws, and then secure it with two ball nuts.
9. Pull the cord ( A ) down slightly until the strain relief touches the canopy.  
Note: Adjusting the length of cord you need.
10. Install 1 x 60W max medium base vintage bulb (included) to the socket.
11. Unscrew three set screws from the glass holder. Hold the socket into the glass shade, thread the three set screws through each holes of glass shades, and then secure them into the glass holder.

Turn on the power at fuse or circuit box.

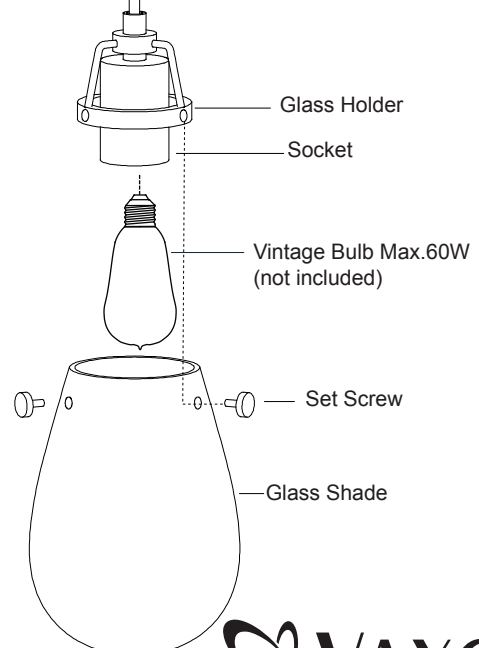
## For Wall Light Installation Steps

### For Wall Light Hardware Package (included):



Turn off the power at fuse or circuit bo

1. Thread two headless screws through the mounting plate, and then secure them with four lock nuts (two on each side of the mounting plate). Adjust the length of the headless screws if necessary.  
**Note: Make sure that the headless screws are lined up horizontally to make the fixture level.**
2. Attach mounting plate to the outlet box using two mounting screws.
3. Connecting the wires with wire connectors as follows:
  - Connect the black wire from the fixture to the black wire from the power source.
  - Connect the white wire from the fixture to the white wire from the power source.
  - Attach the fixture ground wire (usually green insulation or bare wire) to the mounting plate with the green ground screw. Then connect it to the house ground wire with the wire Connector.

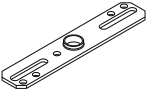
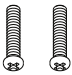

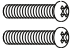


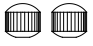


4. Attach the canopy cover assembly to the mounting plate by inserting the headless screws, and then secure it with two ball nuts.
5. Reel out the cord carefully from the main fixture to decrease or increase the length of cord.
6. Install 1 x 60W max medium base vintage bulb (included) to the socket.
9. Unscrew three set screws from the glass holder. Hold the socket into the glass shade, thread the three set screws through each holes of glass shades, and then secure them into the glass holder.

**Turn on the power at fuse or circuit box**

The following parts are available for reorder if those are damaged or missing.

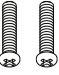

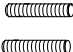



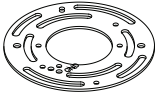
**For Pendant Spare Parts List:**

						
Mounting Strap (A)	Mounting Screw (B)	Wire Connector (C)	Fixture Mounting Screw (D)	Green Ground Screw (E)	Lock Nut (F)	Ball Nut (G)

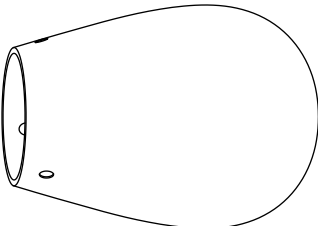
For Pendant Mounting Hardware 5823MM (1 SET)

---


**For Wall Light Spare Parts List:**

						
Mounting Screw (H)	Green Ground Screw (I)	Headless Screw (J)	Wire Connector (K)	Lock Nut (L)	Ball Nut (M)	Mounting Plate (N)


For Wall Light Mounting Hardware 5834MM (1 SET)




Glass Shade 9949CL




Set Screw 5835SS



12"Rod  
3113RD (4PCS)

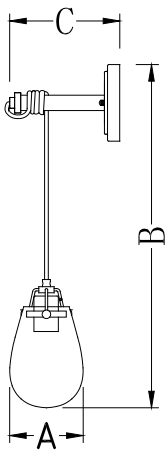


6"Rod  
3114RD (1PC)



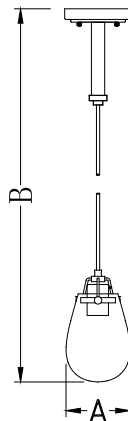
3"Rod  
3115RD (1PC)

**For Wall Light**



A: 5"  
B: 13-1/2"  
C: 11"

**For Pendant**



A: 5"  
B: 13-1/2"