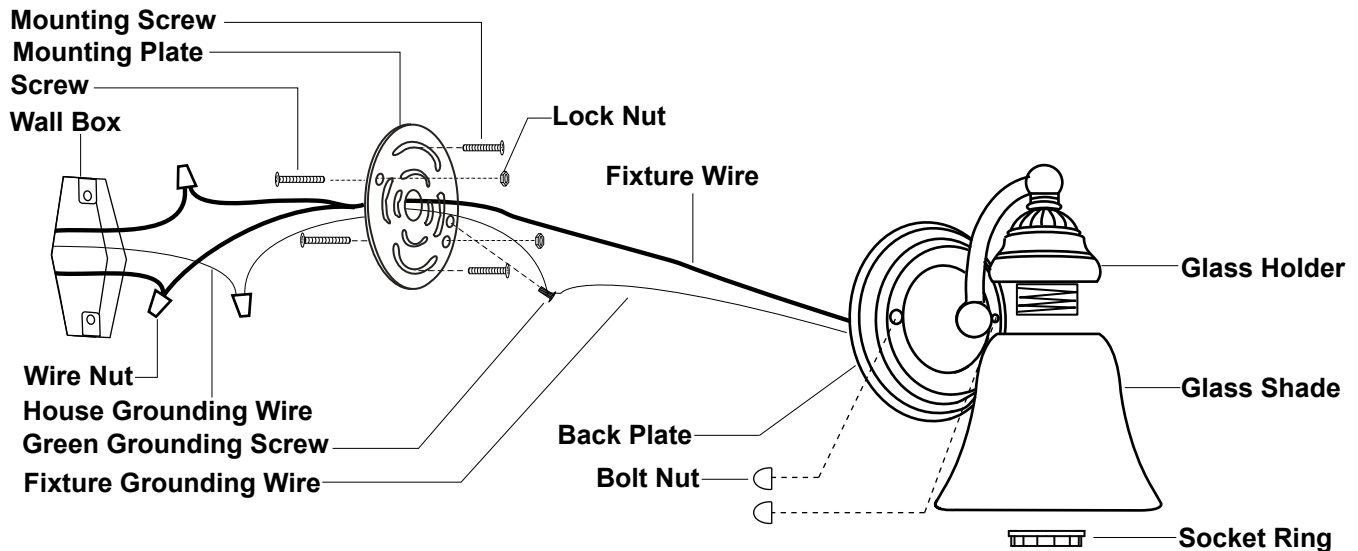


ASSEMBLY AND INSTALLATION INSTRUCTIONS

WL35121

WARNING: TO AVOID RISK OF ELECTRICAL SHOCK, BE SURE TO SHUT OFF POWER WHILE INSTALLING OR SERVICING THIS FIXTURE.

NOTE: Before installing, consult local electrical codes for wiring and grounding requirements.



Installation Steps:

1. Unscrew the bolt nuts from the back plate, and remove the mounting plate.
2. Thread two screws to the mounting plate, and then secure with two lock nuts.
(You can adjust the length of the screws if necessary.)
Note: Two sizes of screws, 3/4" L and 1" L, are attached in the hardware package, please choose one to suit your need. □
3. Attach the mounting plate to the wall box by using two mounting screws.
4. Make wire connections with wire nuts:
 - The black wire from fixture to the black wire from power source.
 - The white wire from fixture to the white wire from power source.
 - Attach the fixture grounding wire to the mounting plate with the green grounding screw. Then connect it to the house grounding wire with a wire nut.Carefully tuck wires back into the wall box.
5. Reattach the back plate to the mounting plate by inserting the two screws, and secure with two bolt nuts.
6. Attach the glass shades to the glass holders, and secure with socket rings.
7. Install bulbs. **(Please do not exceed the maximum capacity that is recommended on the package.)**
8. Turn on the power at fuse or circuit box.