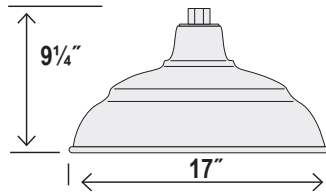


RWHS17 - R SERIES 17" WAREHOUSE SHADE

This item can be converted to a pendant or wall sconce with purchase of separate compatible downrod or goose neck.

Please see compatible downrods and arms below:

- Compatible downrods: RS1, RS2, and RS3
- Compatible with arms: RGN10, RGN12, RGN13, RGN15, RGN22, RGN23, RGN24, RGN30, and RGN41
- Compatible with wire guard: RWG17



Accepts 3/4" stem

Dimensions

Width	17"
Height	9 1/4"
Wire	100"

Finish & Material

Finishes	ABR - Architectural Bronze BP - Black Porcelain GA - Galvanized GY - Gray NB - Navy Blue NC - Natural Copper SB - Satin Black SFP - Sea Foam Porcelain SG - Satin Green SR - Satin Red WH - White WP - White Porcelain
Material	Metal

Wattage

Bulbs	1-Medium A21
Watts per Bulb	200W
Voltage	120V
Bulbs Included	No

Certification

UL Listed	Wet Location
-----------	--------------

Item Number

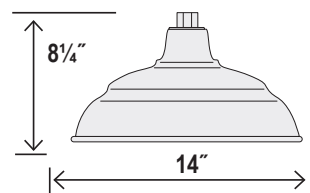
SKU	RWHS17
-----	--------

RWHS14 - R SERIES 14" WAREHOUSE SHADE

This item can be converted to a pendant or wall sconce with purchase of separate compatible downrod or goose neck.

Please see compatible downrods and goose neck below:

- Compatible downrods: RS1, RS2, and RS3
- Compatible with arms: RGN10, RGN12, RGN13, RGN15, RGN22, RGN23, RGN24, RGN30, and RGN41
- Compatible with wire guard: RWG14



Accepts 3/4" stem

Dimensions

Width	14"
Height	8 1/4"
Wire	100"

Finish & Material

Finishes	ABR - Architectural Bronze BP - Black Porcelain GA - Galvanized GY - Gray NB - Navy Blue NC - Natural Copper SB - Satin Black SFP - Sea Foam Porcelain SG - Satin Green SR - Satin Red WH - White WP - White Porcelain
Material	Metal

Wattage

Bulbs	1-Medium A21
Watts per Bulb	200W
Voltage	120V
Bulbs Included	No

Certification

UL Listed	Wet Location
-----------	--------------

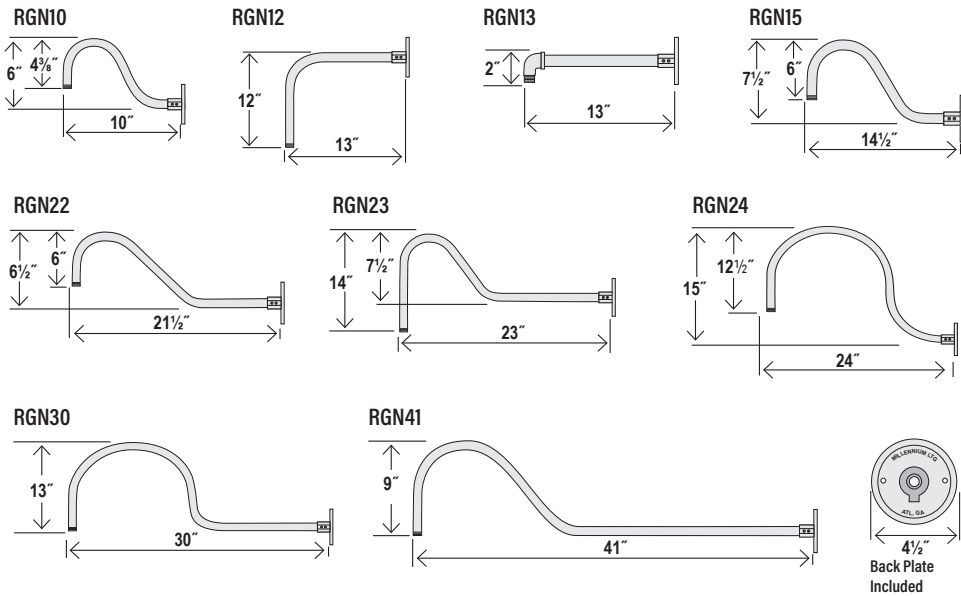
Item Number

SKU	RWHS14
-----	--------

Note: All finishes on outdoor lighting must be properly maintained and treated. Therefore, we suggest cleaning with a regular application of finish preserving & renewing products such as Rejuvenate.

R SERIES OPTIONS

GOOSE NECKS - (WALL MOUNT)

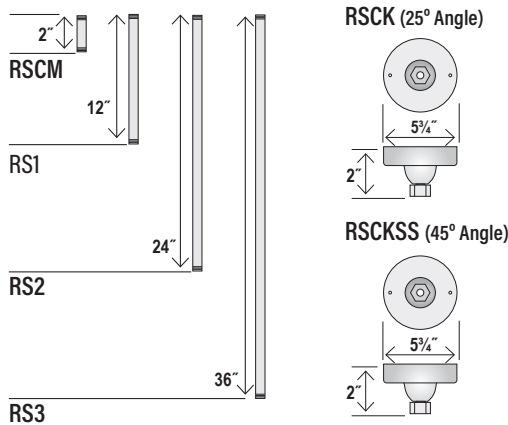


ID: 3/4"

FINISHES

- ABR - Architectural Bronze
- AL - Aluminum
- ASB - Aluminum Painted Satin Black
- BP - Black Porcelain
- GA - Galvanized
- GY - Gray
- NB - Navy Blue
- NC - Natural Copper
- SB - Satin Black
- SFP - Sea Foam Porcelain
- SG - Satin Green
- SR - Satin Red
- WH - White
- WP - White Porcelain

STEMS AND CANOPY KITS - (CEILING MOUNT)

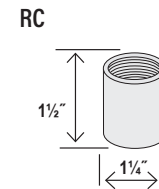


ID: 3/4"

FINISHES

- ABR - Architectural Bronze
- CP - Copper
- GA - Galvanized
- GY - Gray
- NB - Navy Blue
- SB - Satin Black
- SG - Satin Green
- SR - Satin Red
- WH - White

STEM CONNECTORS

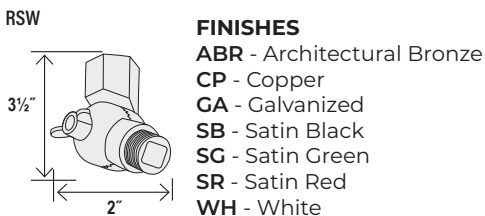


Accepts 3/4" stem

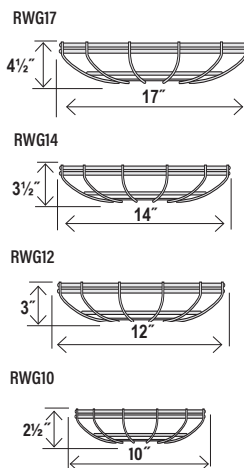
FINISHES

- ABR - Architectural Bronze
- AL - Aluminum
- CP - Copper
- GA - Galvanized
- GY - Gray
- NB - Navy Blue
- SB - Satin Black
- SG - Satin Green
- SR - Satin Red
- WH - White

WALL MOUNT SWIVELS



WIRE GUARDS



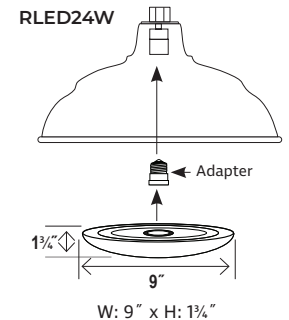
FINISHES

- ABR - Architectural Bronze
- GA - Galvanized
- GY - Gray
- NB - Navy Blue
- SB - Satin Black
- SG - Satin Green
- SR - Satin Red
- WH - White

LED MODULE

RLED24W

This accessory is only compatible for the Warehouse Shade (i.e. RWHS14 & RWHS17).



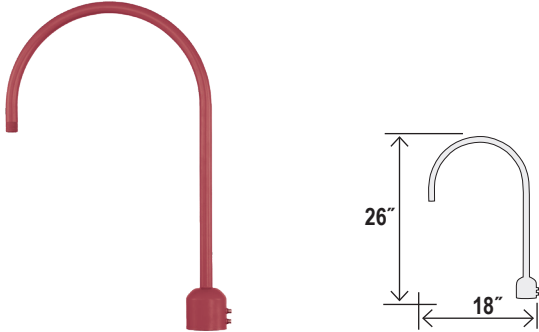
1920 Lumens
3000K
CRI 90
Dimmable

R SERIES OPTIONS

1 LIGHT POST ADAPTERS

- Will work with any RLM shade
- Designed to fit standard 3" posts and pier mount bases
- Unique stem hung design does not require pipe sealant compound on fittings.
- 3/4" inner diameter rigid conduit or water pipe may be substituted for stems or goose necks.

RPAS



Finish & Material

Finishes	ABR - Architectural Bronze AL - Aluminum CP - Copper GA - Galvanized GY - Gray NB - Navy Blue SB - Satin Black SG - Satin Green SR - Satin Red WH - White
Material	Cold Rolled Steel, Die Cast Zinc

Certification

UL Listed Wet Location

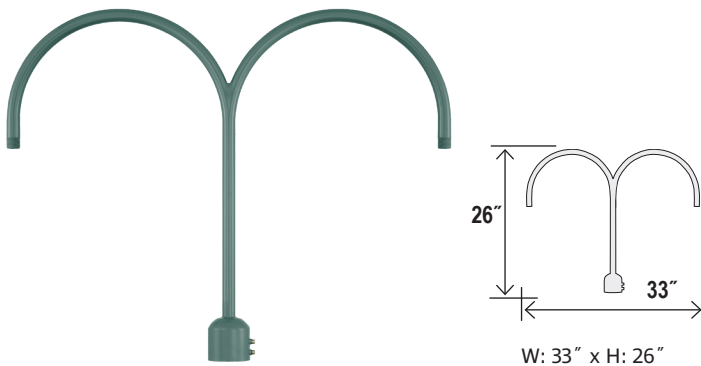
Item Number

SKU RPAS

2 LIGHT POST ADAPTERS

- Will work with any RLM shade
- Designed to fit standard 3" posts and pier mount bases
- Unique stem hung design does not require pipe sealant compound on fittings.
- 3/4" inner diameter rigid conduit or water pipe may be substituted for stems or goose necks.

RPAD



Finish & Material

Finishes	ABR - Architectural Bronze AL - Aluminum CP - Copper GA - Galvanized GY - Gray NB - Navy Blue SB - Satin Black SG - Satin Green SR - Satin Red WH - White
Material	Cold Rolled Steel, Die Cast Zinc

Certification

UL Listed Wet Location

Item Number

SKU RPAD